

www.hazalguvenlik.net



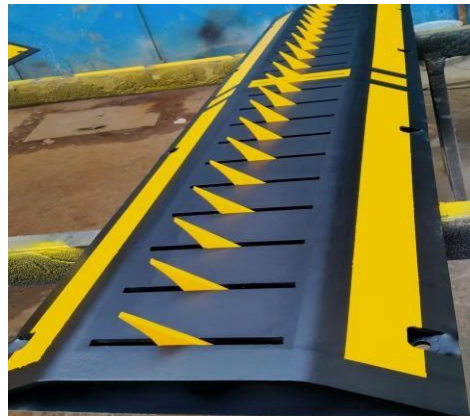
Mechanic Tyre Killer

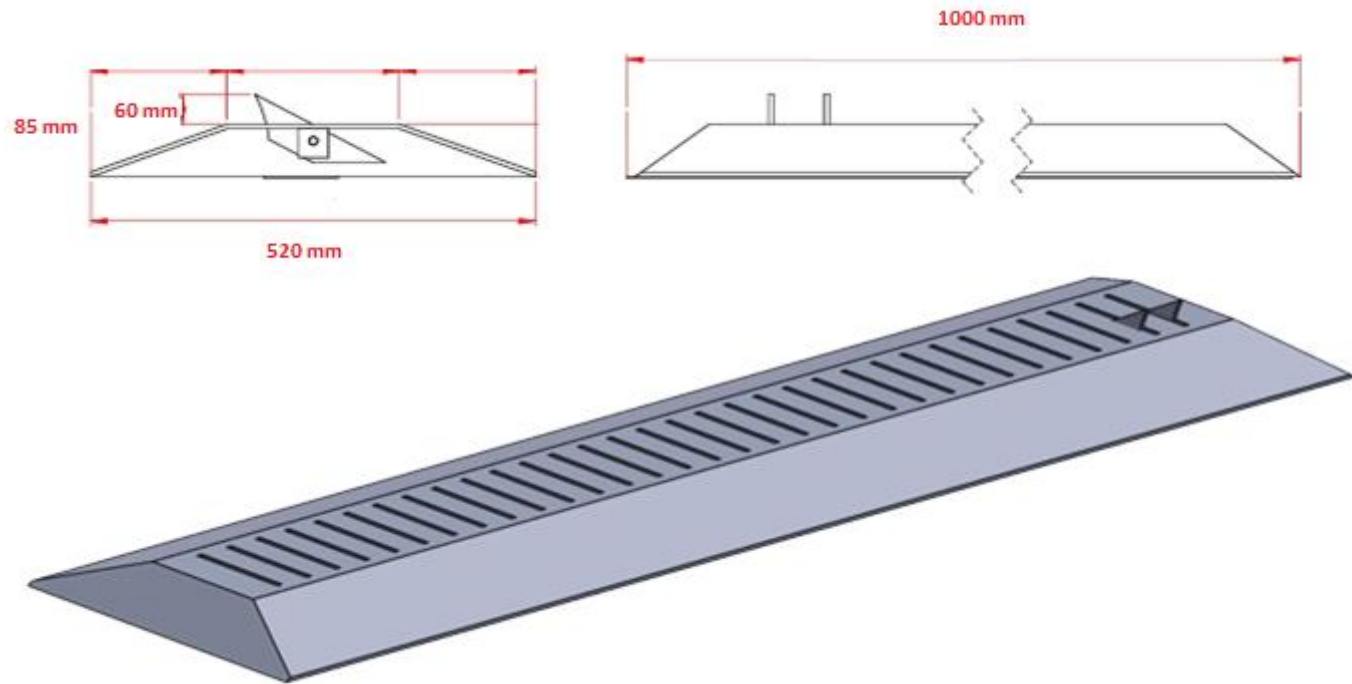
Data Sheet

www.hazalguvenlik.net

www.hazalguvenlik.net

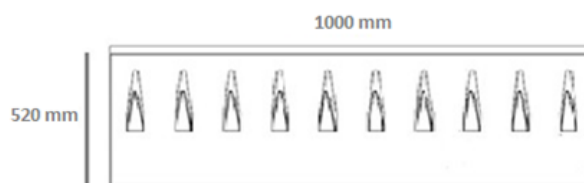
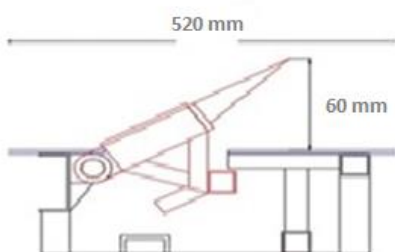
SURFACE Mechanical Tyre Killer





SURFACE MECHANICAL TYRE KILLER

Length	1000 mm
Width	520 mm
Pointed Teeth / Thickness	100 mm / 10 mm
Weight (approximately)	70 kg
Axle load	17 tons
Environmental durability	Steel yellow-black painted
Top Steel Sheet	10 mm ST Quality 37 minimum
Manual	Teeth With Closing Down Lock (option)
Quality Documents	CE - ISO - OHSAS and TSE



www.hazalguvenlik.net



Doğuş Mah Ballıbaba Sok No : 67/3 K.Esat / Çankaya / ANKARA

Tlf : + 90 312 478 2028 – + 90 312 482 0484

www.hazalguvenlik.net - info@hazalguvenlik.net

www.hazalguvenlik.net

